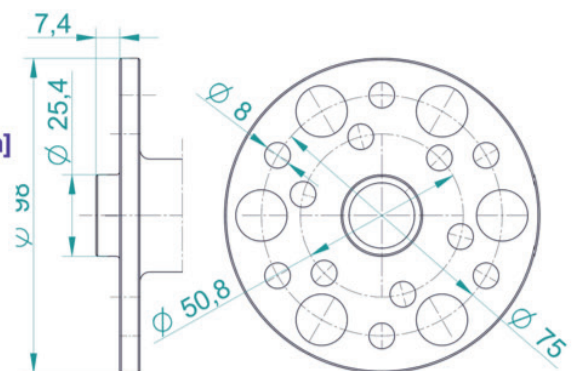
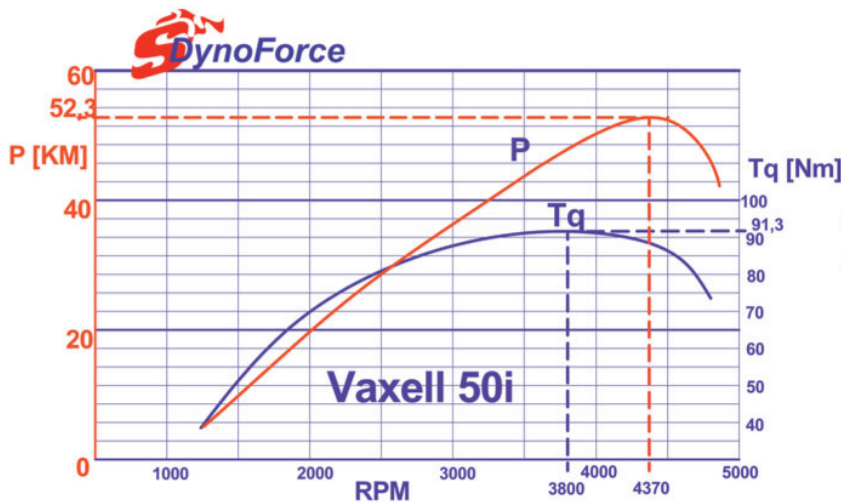
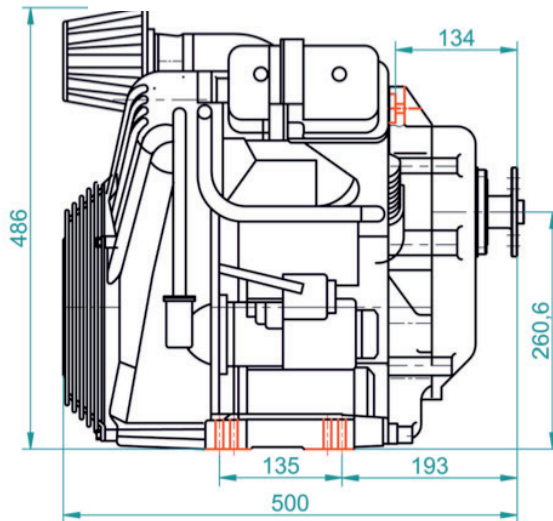
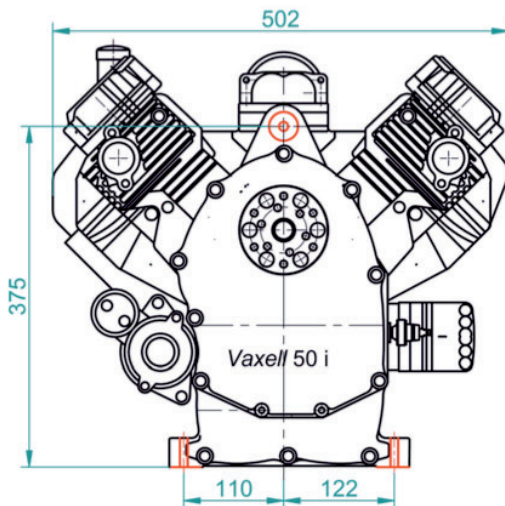


# Engine VAXELL 50i - 52 PS

Maximal power - 52 ch  
at 4 370 rpm  
Displacement 997 cm<sup>3</sup>  
Reductor 1 : 1,65  
(helical gear)  
Propeller rpm 2 650 rpm  
Weight 52,8 kg  
TBO 1 500 h



Information contained in these drawings  
are an exclusive property of the S'wiątek company.